

Altimeters

- 3-inch Counter Drum Pointer Altimeters
Types 3A63, 3A62
- 3-inch Counter Drum Pointer Altimeters with Baro-output
Types 3H63, 3H62



General

SATHOM 3 inch Altimeters are barometric instruments. The counter-pointer display is actuated by a high performance mechanism with a high stability beryllium capsule. A built-in vibrator minimizes friction and optimizes accuracy in use. Temperature compensation is accomplished by a bimetallic element. All instruments are offered customer-specific (see type designation) and are mounted for easy servicing.

Application

The 3 inch Altimeters are installed as primary or standby instruments in civil and military aircraft. Users benefit from a high level of precision and reliability.

Characteristics

Counter-Pointer Presentation

The counter has three moving drums, which show tens of thousands, thousands and hundreds of feet. The pointer indicates 1,000 feet per revolution on a scale calibrated at intervals of 20 feet. Warning flags are displayed on the counter between 10,000 and 0 feet, respectively below 0 feet.

Baro Scale

The barometric-counter indicates the pressure as four digits as single baro inHg or in mbar or as dual baro in inHg/mbar. Adjustment for QNH/QFE is provided by a knob on the front, built-in stops are included.

Baro-output

An electrical indication of pressure (3H63, 3H62 only) can be provided by potentiometer geared to the baro-scale-mechanism.

Case

The SATHOM Altimeters are installed in light-weight aluminum ARINC, Square and Round cases.

Lighting

Lighting is offered in different voltages and different colors. All instruments are available in NVG-compatible lighting.

Glass

All instruments with lighting are equipped with anti-reflective coated glasses according to MIL-C-14806.

Static Pressure Connector

The connector is a 9/16"-18UNJF-3B unit with a 150 wire mesh filter screen.

Electrical Connector

A 5-pin (option 26-pin) connector is used for the 3A63 and the 3A62, a 26-pin connector for the 3H63 and the 3H62 instruments. The standard connectors meet all the requirements of MIL-E-5400.

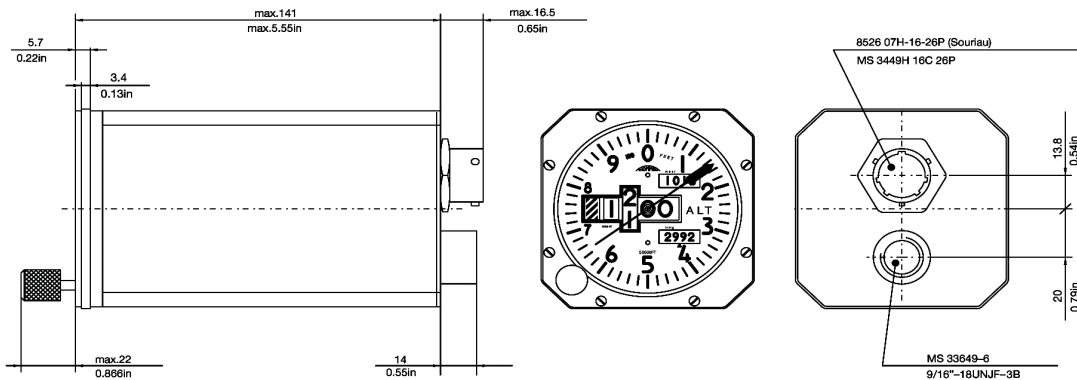
Type Designation

3A	Altimeter
3H	Altimeter with Baro-output
62.	Metric Counter Drum Pointer
63.	Feet Counter Drum Pointer
.10.	Round Case Grey, Bezel with Lip
.20.	Round Case Black, Bezel with Lip
.30.	ARINC Case 408 3ATI Black
.40.	ARINC Case 408 3ATI Grey
.50.	Square Case Black
.60.	Square Case Grey
.70.	Round Case Grey, Bezel without Lip
.80.	Round Case Black, Bezel without Lip
.01.	Dial Markings are Fluorescent White
.02.	Dial Markings are Lusterless White
.03.	Dial Markings are Fluorescent Yellow
.04.	Dial Markings are Luminescent Green
.05.	Dial Markings are Day Glow Yellow (Saturne)
.20F.	Measuring Range -1,000 ... 20,000 Feet
.35F.	Measuring Range -1,000 ... 35,000 Feet
.50F.	Measuring Range -1,000 ... 50,000 Feet
.06M.	Measuring Range -300 ... 6,000 Meters
.10M.	Measuring Range -300 ... 10,000 Meters
.15M.	Measuring Range -300 ... 15,000 Meters
.00.0.	Without Lighting
.05.	Lighting 5V AC/DC
.28.	Lighting 28V AC/DC
.1.	Lighting White Only
.2.	Lighting Red and White
.3.	Lighting Red Only
.4.	Lighting NVIS Green
.XX.	Customer Code

Technical Data

General	
-Altimeter	Acc. TSO-C10b and DO160
-Vibrator Power Supply	28V DC
-Altitude Counter Presentation	3 Drum Altitude Counter
-Baro Counter Presentation	Four Digit Counter
-Baro-Setting Range	950 to 1050 mbar (hPa) or 28.1 to 31.0 inHg
	Acc. Customer Specification
-Baro-Setting Output (3H63/3H62 only)	
-Case (Bezel)	
ARINC	Acc. ARINC 408 3ATI
Square	Acc. MS 33556
Round, Bezel with Lip	Acc. MS 33549
Round, Bezel without Lip	Acc. MS 27573
-Lighting NVIS Green	Nightvision Goggle Compatibility Acc. MIL-STD-3009 (MIL-L-85762)
-Temperature	Acc. TSO-C10b
Operating	-30° to +50°C
Non-Derangement	-65° to +70°C
-Pneumatic Connector	9/16"-18UNJF-3B (MS 33649-6)
-Weight in Standard Configuration	Less than 730 gr
-Colors white and black	Acc. FED-STD-595a
-Glass, Anti-Reflective Coated	Acc. MIL-C-14806A
Options	
-Altitude Counter Presentation	3 Drum Altitude Counter with Two Fixed Zeroes on Dial
-Dual Baro-Setting Range	950 to 1050 mbar (hPa) and 28.1 to 31.0 inHg
-Expanded Baro-Setting Range	850 to 1050 mbar and/or 25.1 to 31.0 inHg
-Temperature	
Operating	-55° to +70°C
Non-Derangement	-60° to +90°C
-Further Pneumatic Connectors	Acc. MS 33649

Drawing



Specifications are subject to change without notice.

SATHOM
Manufacturer of
mechanical aircraft
instruments used
in business, commercial
and military aviation.

SATHOM is a
certified company.

EASA Part 21 G+O
EASA Part 145

SATHOM 07 /18 Material No.:70794158